

# Installation instructions for PZ4AL-02724-00, PZ4AL-02725-00 Under Run Protective Shield Engine Bay and Transmission Case

## LEXUS NX300h



Model Year: **2014 -**

Vehicle Code: **AYZ15L-AWXLBW**

Part Number: **Steel: PZ4AL-02724-00  
Aluminium: PZ4AL-02725-00**

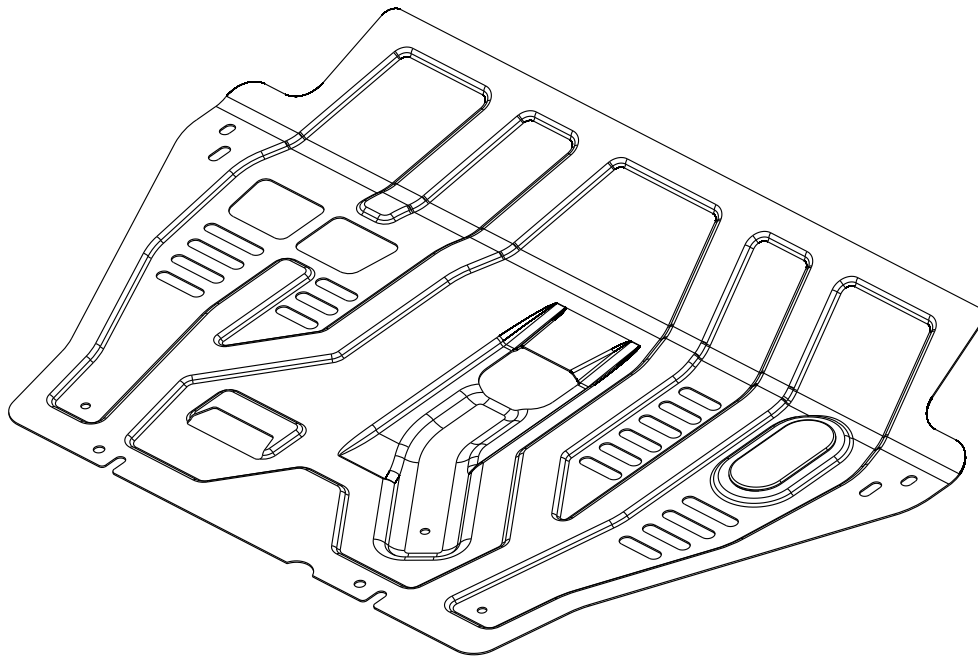


Weight: **Steel: 9,17 kg  
Aluminium: 5,75 kg**



Installation Time: **30 min**

**A**



PZ4AL-02724-60

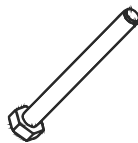
**B1**



M10x20

2x

**B2**



M10x100

2x

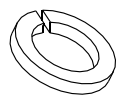
**C1**



Ø 10

4x

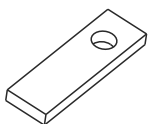
**C2**



Ø 10G

4x

**D**



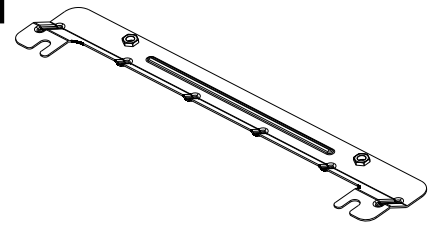
2x

**E**

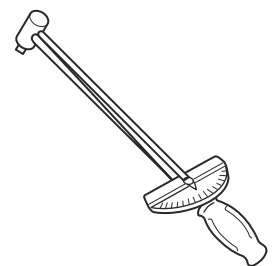
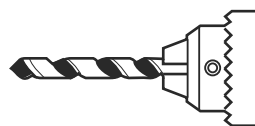
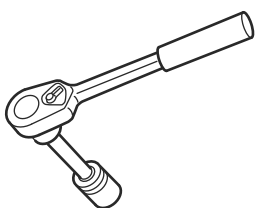


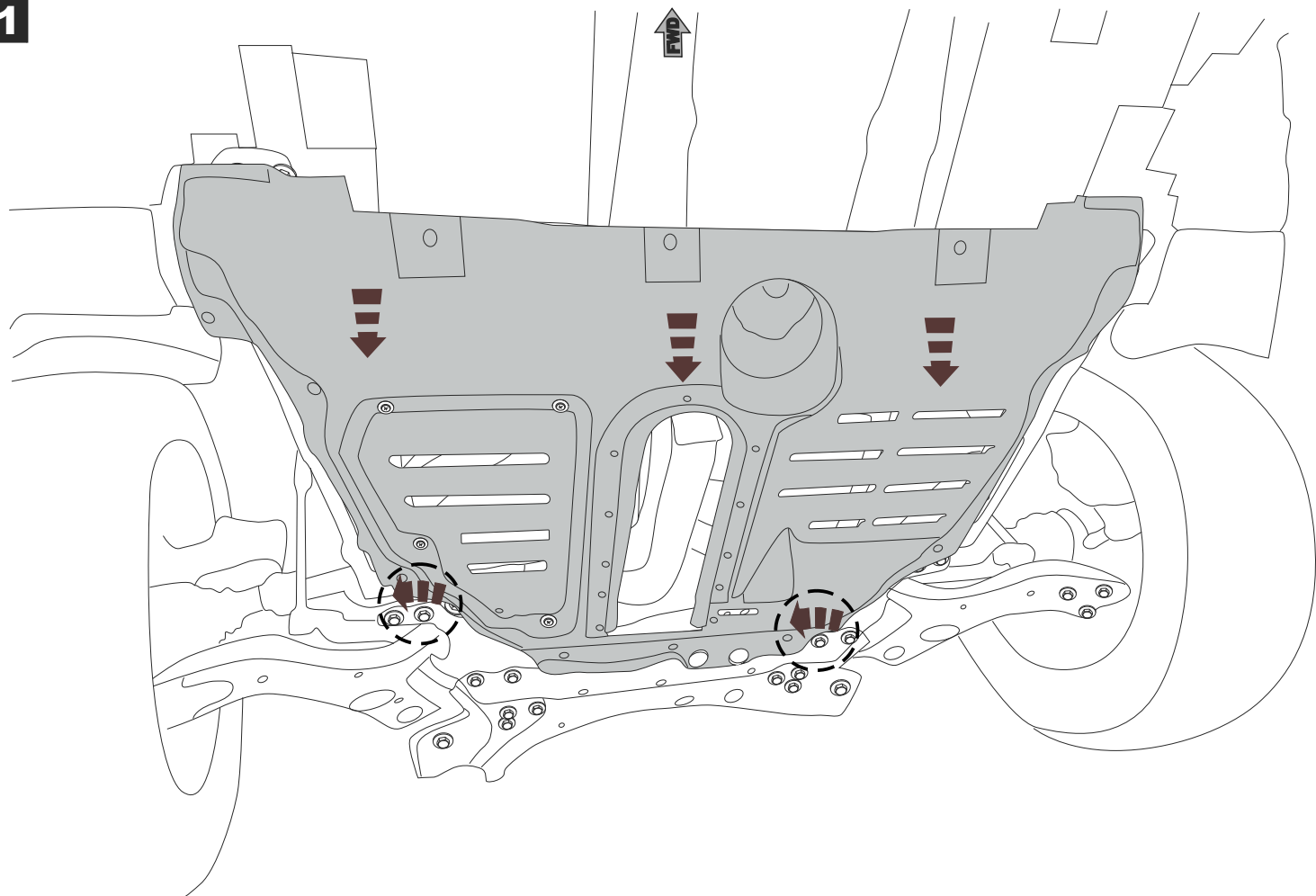
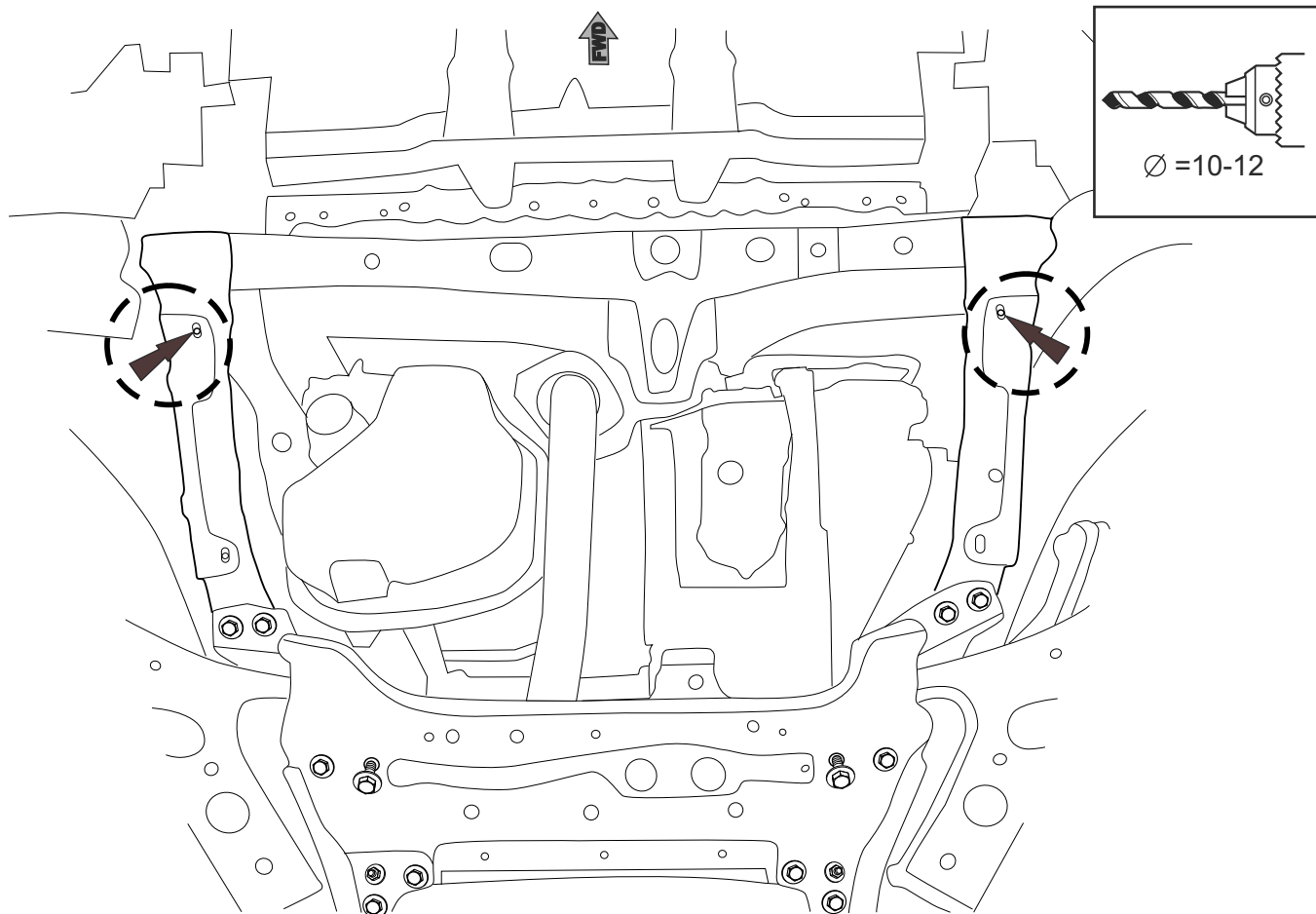
2x

**F**

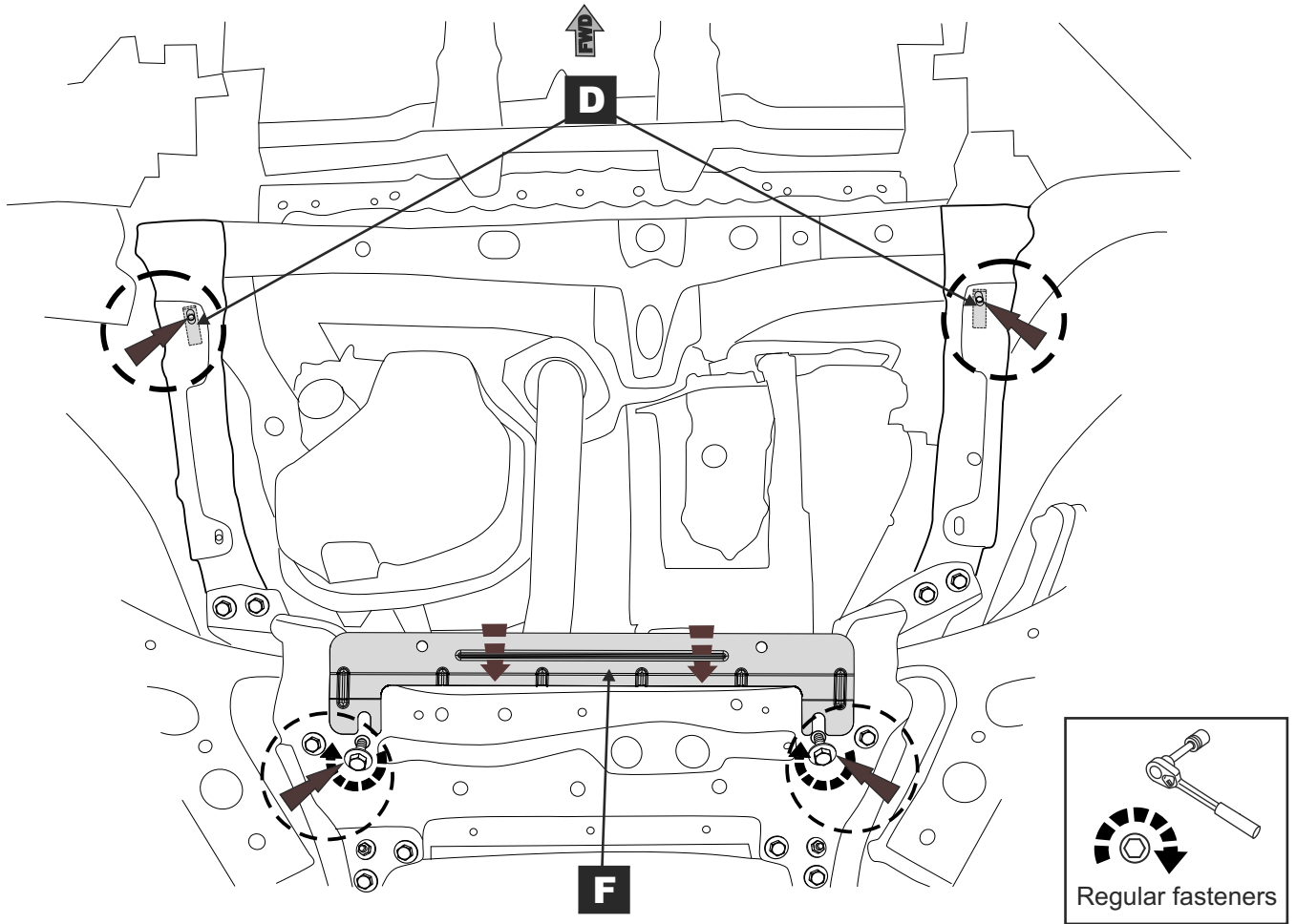


1x

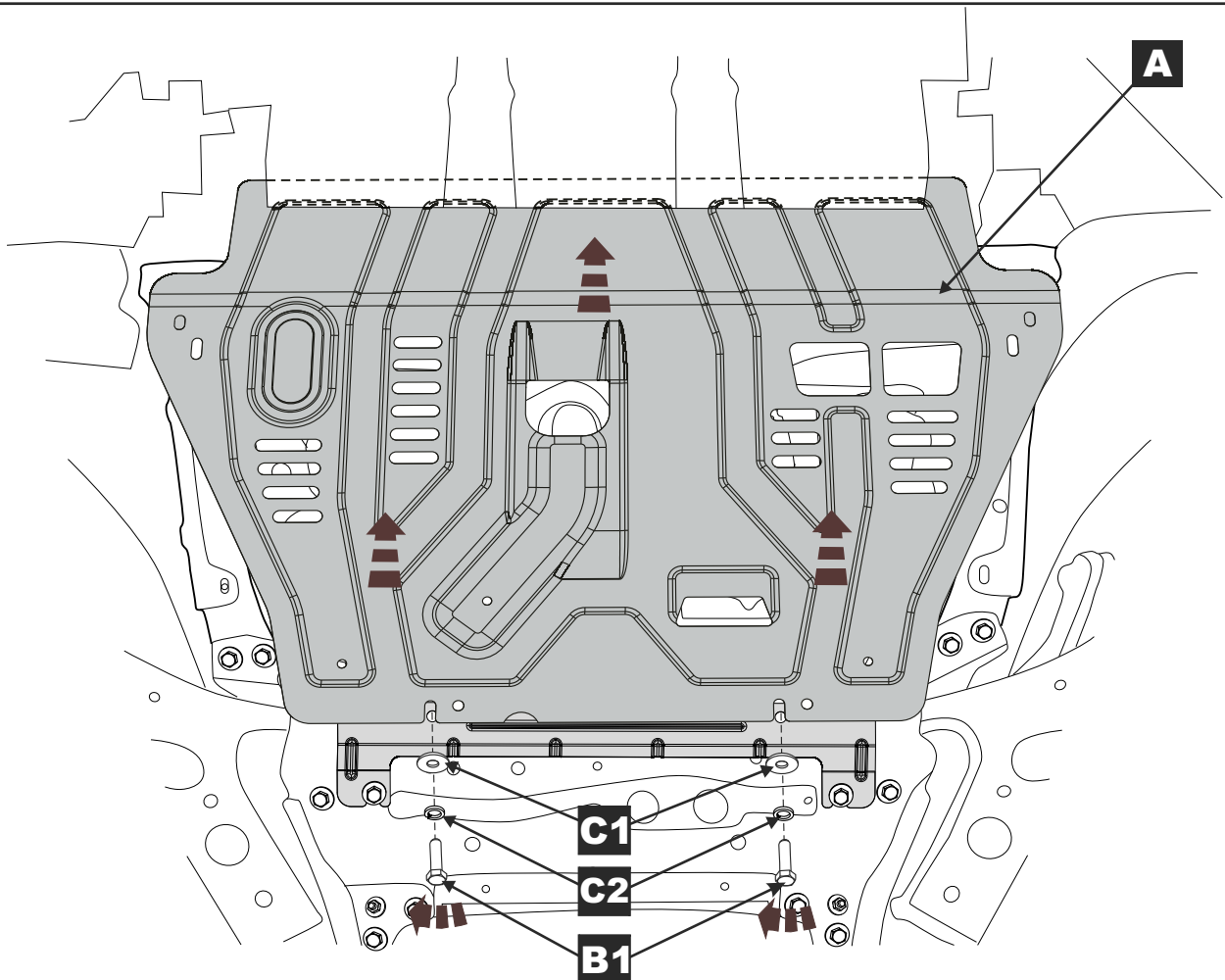


**1****2**

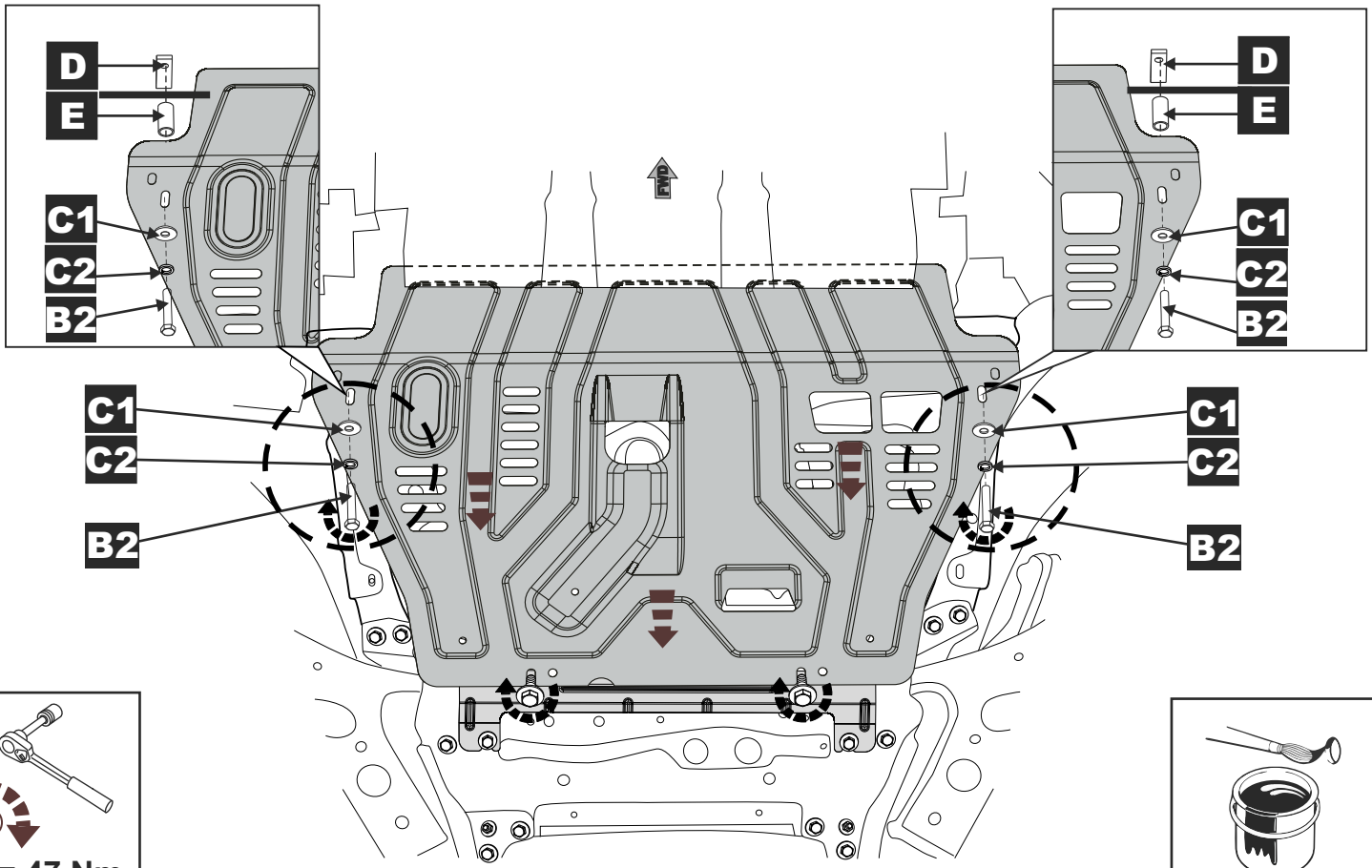
3



4



**5**



**M10 = 47 Nm**

**6**

